

Drawing No.

NP 428.1

Sheet 1 of 2

Related Drawing

P 667

Before using this drawing, confirm that it has not been superseded.

© CROWN COPYRIGHT

NOTES: 1. The legend is from the Transport Heavy Alphabet at the x-height shown.

2. The tile outlines do not form part of the signs.

3. COLOURS : Backgrounds ----- WHITE

Start Sign Legend,

Border & Symbol ----- BLACK

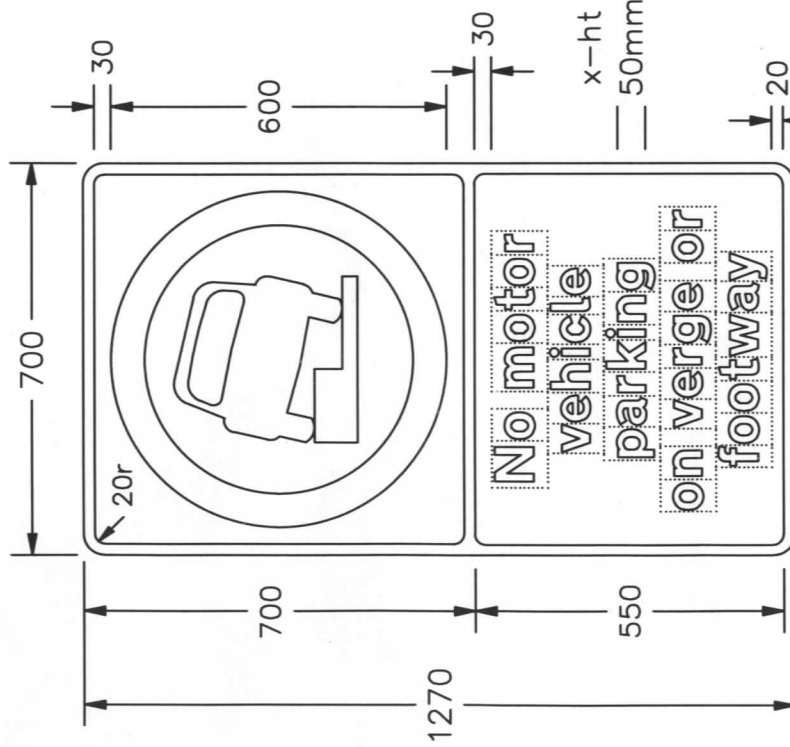
Roundel ----- RED

End Sign Legend, Border &

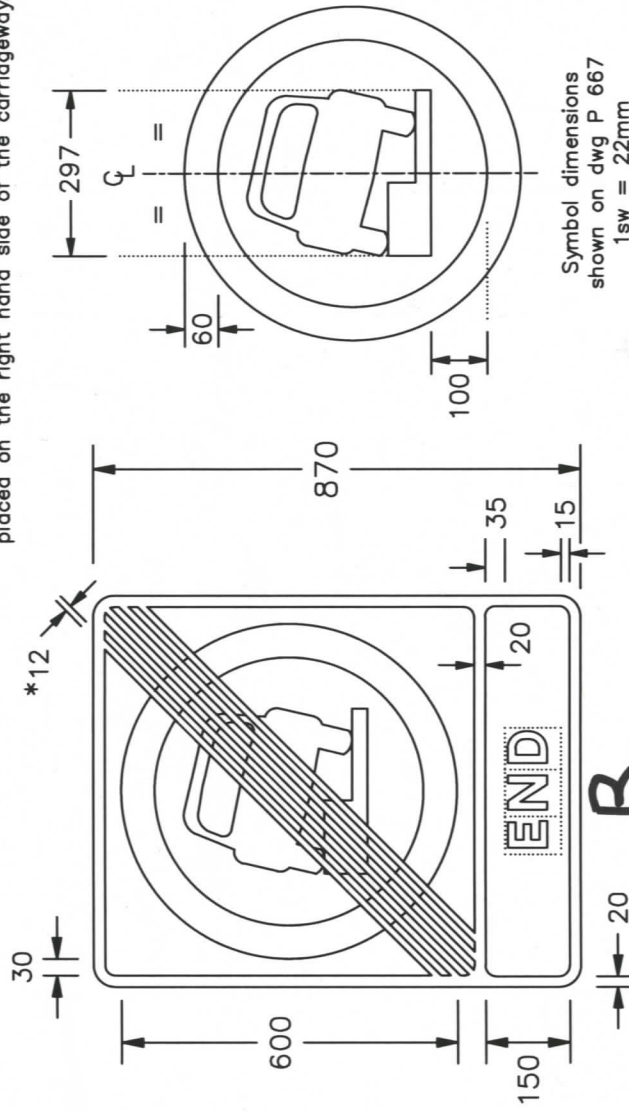
Cancellation Bars ----- BLACK

Roundel & Symbol ----- GREY

4. The symbol shall be reversed when the signs are placed on the right hand side of the carriageway.



* This dimension also applies to the width of each gap between the diagonal bars



Symbol dimensions shown on dwg P 667
1sw = 22mm

A **B**

NP428x1

Department for **Transport**

Title: **START AND END OF FOOTWAY PARKING PROHIBITION**

Issue: Date: A: 16.6.05 B: 18.2.11 C:

Drawn by: A.K. Approved by: J.B.

Dimensions: MILLIMETRES

Drawing No. NP 428.1 Sheet 1 of 2

Drawing No.

NP 428.1

Sheet 2 of 2

Related Drawing

P 667

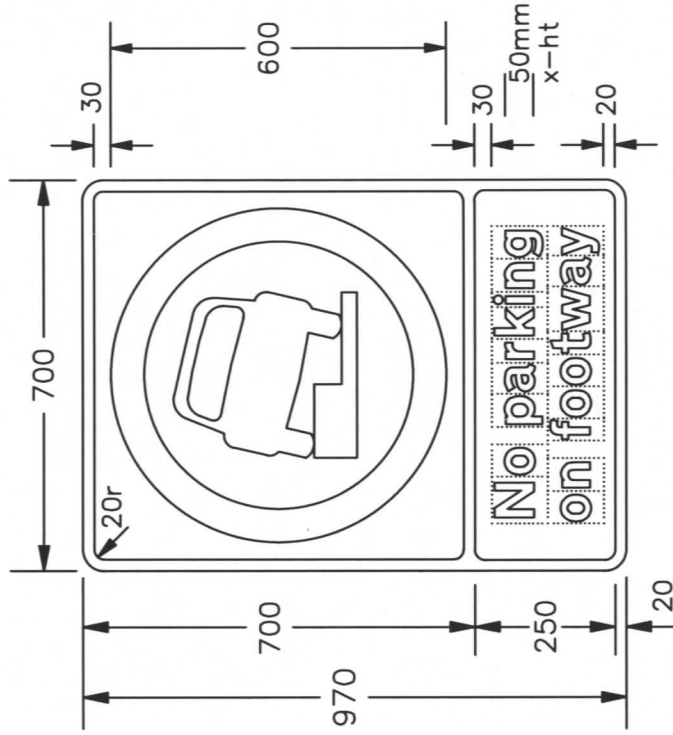
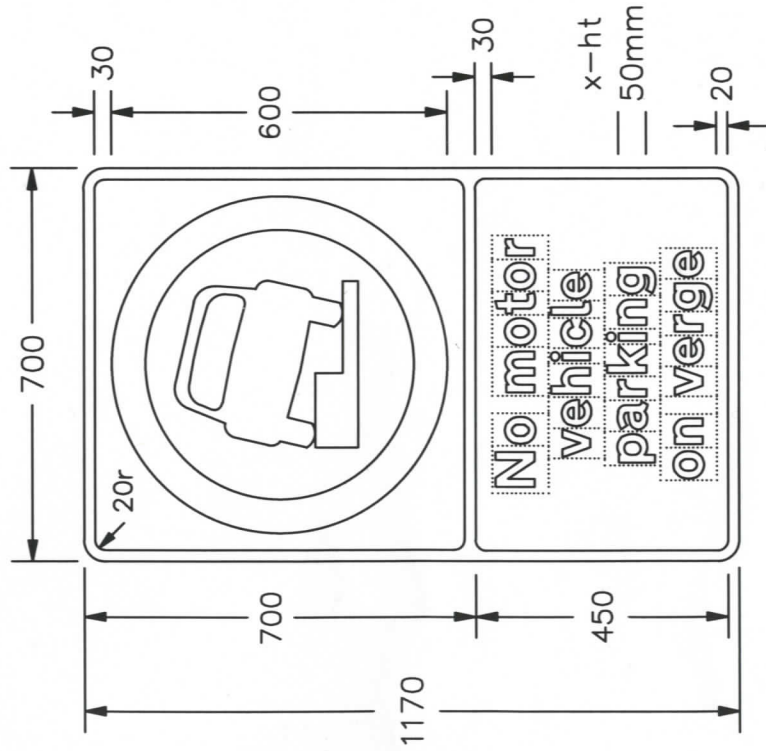
Before using this drawing, confirm that it has not been superseded.

© CROWN COPYRIGHT

- NOTES: 1. The legend is from the Transport Heavy alphabet.
2. The tile outlines do not form part of the signs.
3. COLOURS : Backgrounds ----- WHITE

Start Sign Legend,
Border & Symbol ----- BLACK
Roundel ----- RED

4. The symbol shall be reversed when the signs are placed on the right hand side of the carriageway.



NP428x2

Department for
Transport

Title:

Regulatory Signs
START AND END OF
FOOTWAY PARKING PROHIBITION

Issue: Date:

A: 16.6.05

B: 18.2.11

C:

Drawn by:

A.K.

Approved by:

J.B.

Dimensions:

MILLIMETRES

Drawing No.

NP 428.1

Sheet 2 of 2

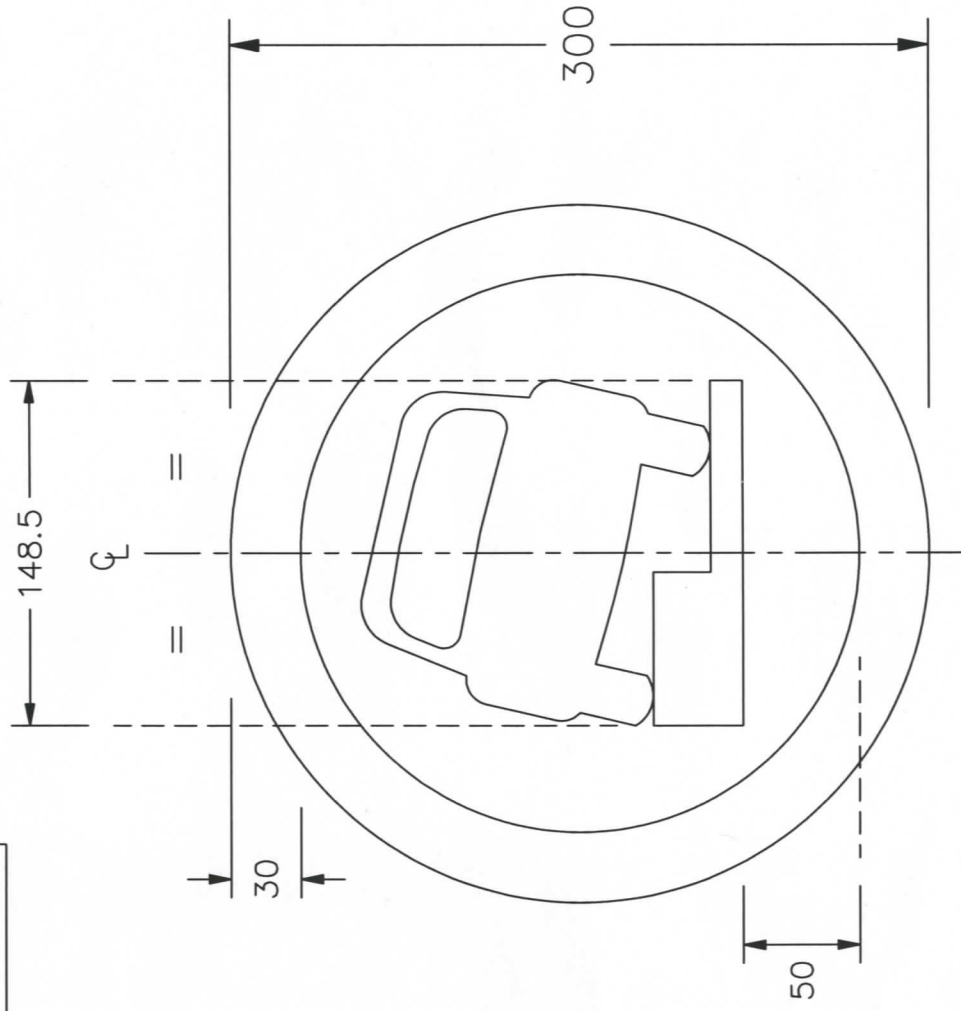
Drawing No.
NP 428.2

Related Drawing
P 667

© CROWN COPYRIGHT

NOTES: 1. COLOURS : Background ---- WHITE
Symbol ----- BLACK
Border - - - - - RED

2. The symbol shall be reversed when the signs are placed on the right hand side of the carriageway.



Symbol dimensions
shown on dwg P 667
1sw = 11mm

Before using this drawing, confirm that it has not been superseded.

NP428x2

<p>Department for Transport</p>	<p>Title: Regulatory Sign</p>			<p>Issue: A: 5.7.05 B: C:</p>	<p>Drawn by: R.M. Approved by: R.M.</p>	<p>Dimensions: MILLIMETRES</p>	<p>Drawing No. NP 428.2</p>
	<p>FOOTWAY PARKING PROHIBITION REPEATER SIGN</p>						